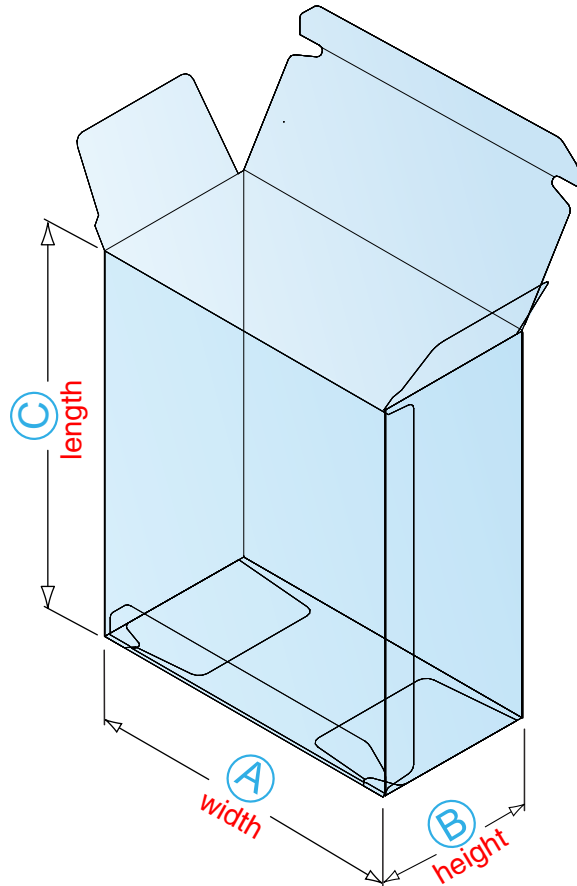
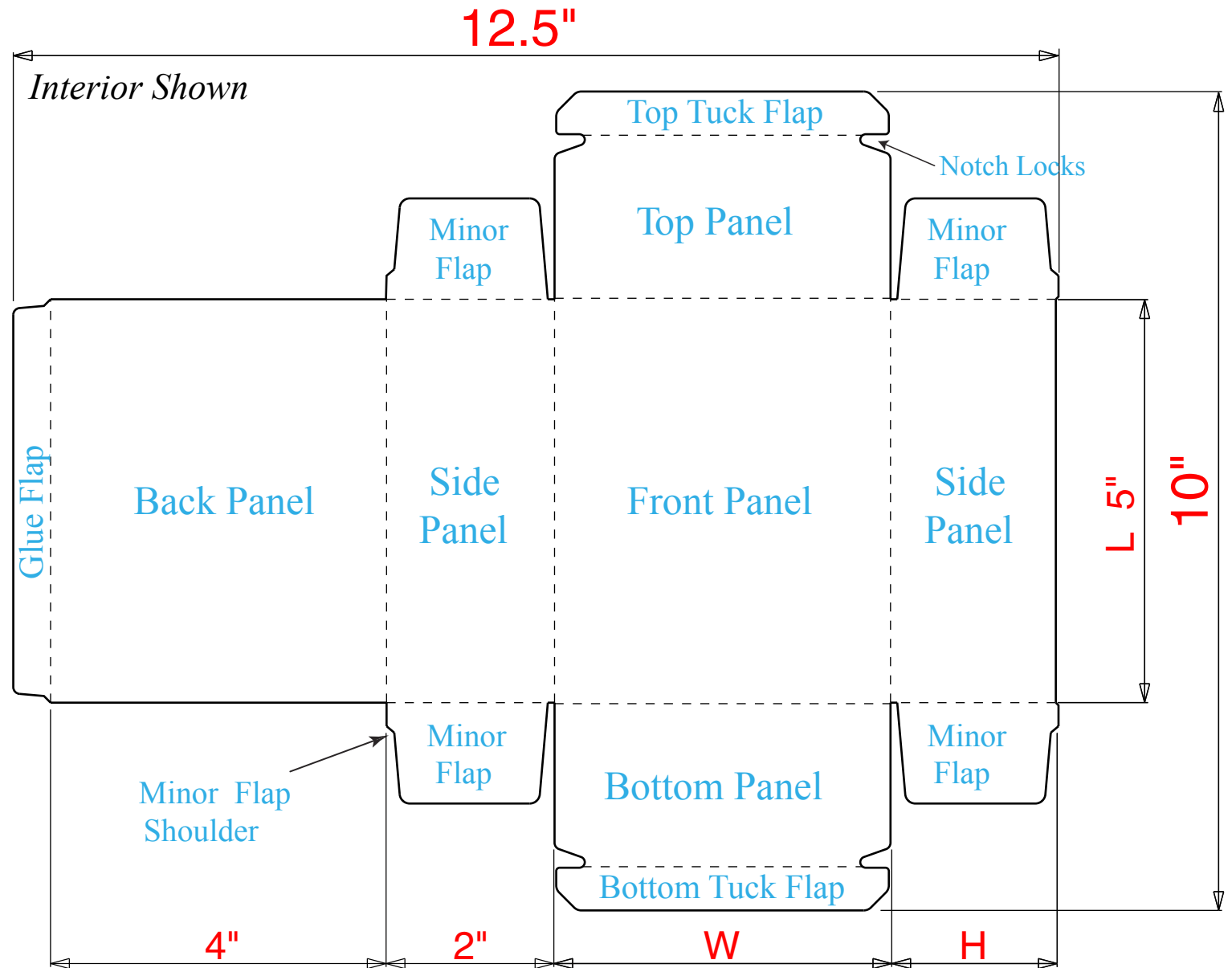


Straight Tuck

Inside Dimensions
4" X 2" X 5"

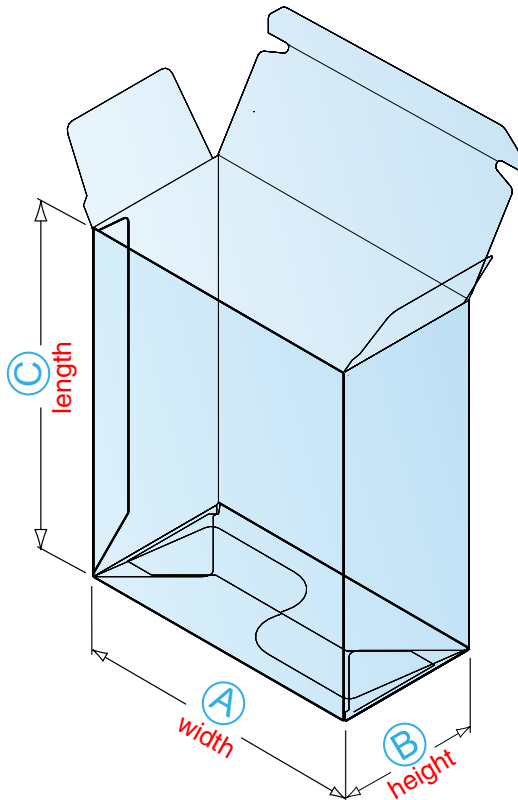


Straight Tuck cartons have both top and bottom panels that hinge off the carton's front panel. The top and bottom panels fold from the front and tuck to the rear, providing a clean front panel appearance. This style carton is appropriate for both hand and machine forming and filling applications.

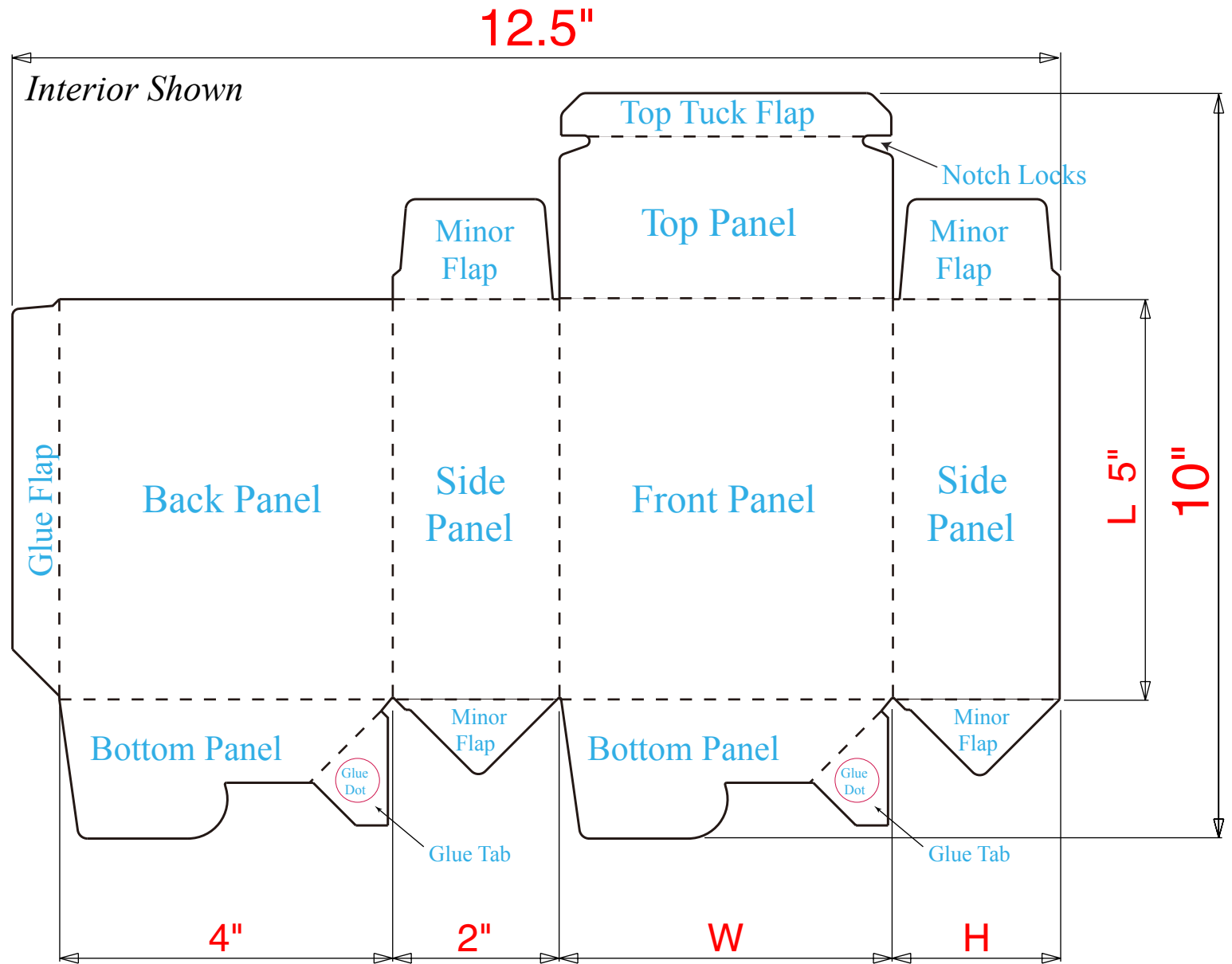


Tuck Top, Auto-Bottom

Inside Dimensions
4" X 2" X 5"

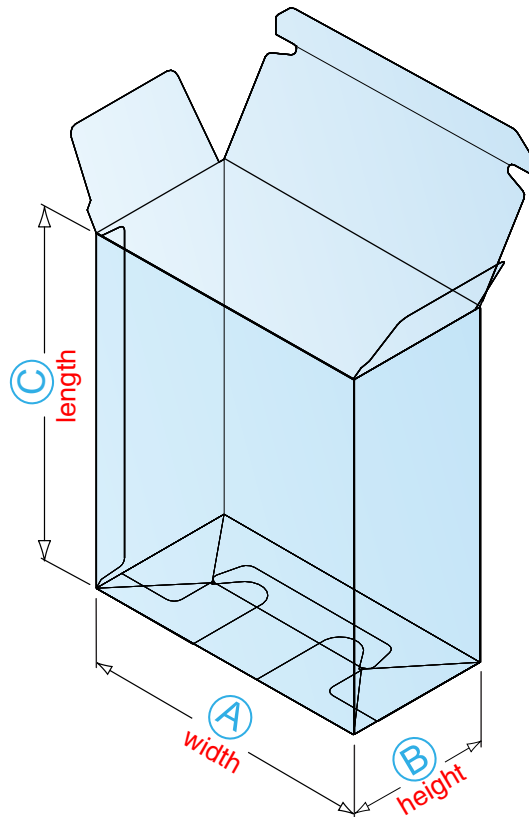


Auto-Bottom cartons are designed for efficient hand set-up and loading, and are generally used when faster set up is desired but production volume or the package's contents are not suitable for automated filling equipment. Bottom panels are pre-glued during the carton's manufacturing process.

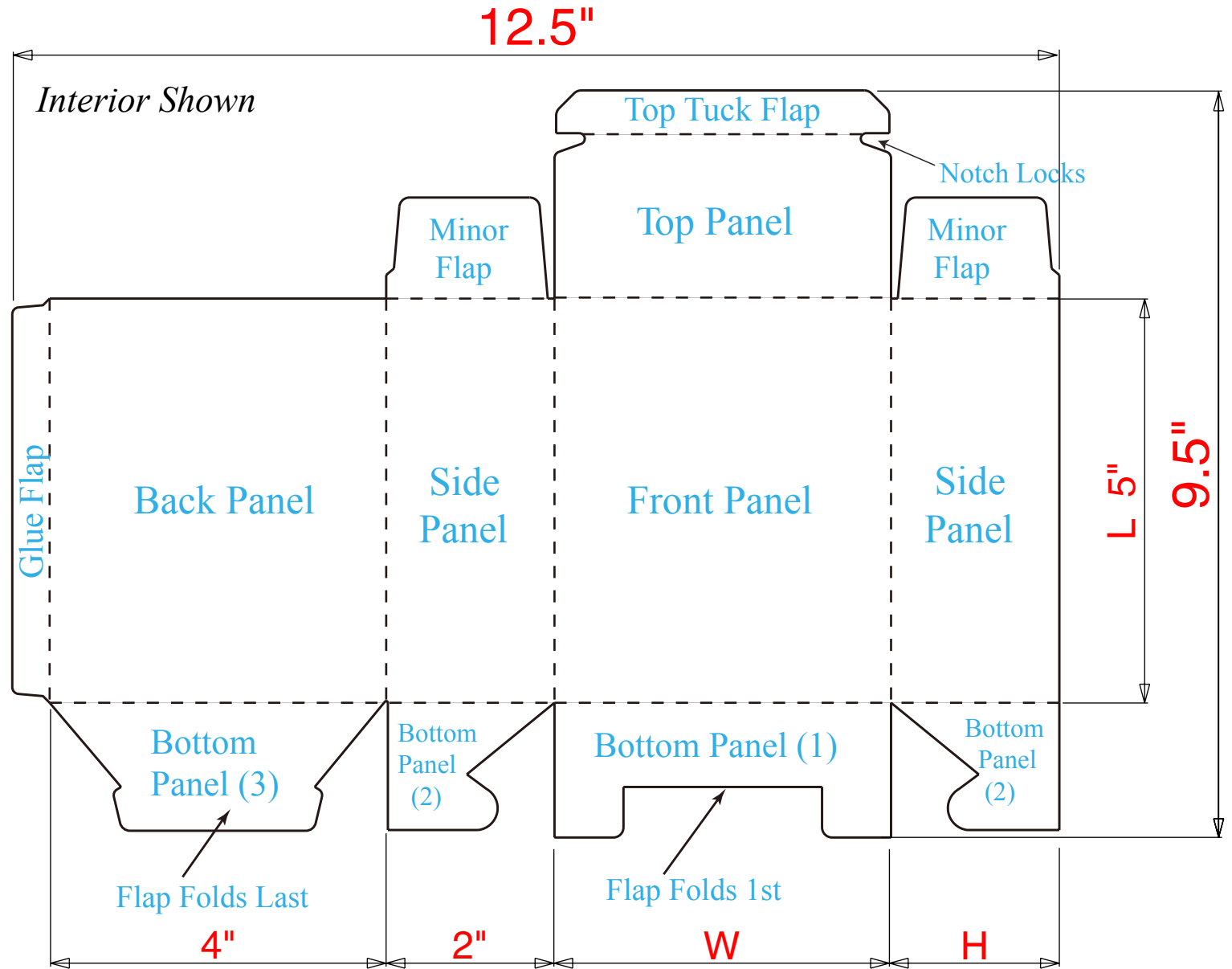


Tuck Top, 123-Bottom

Inside Dimensions
4" X 2" X 5"

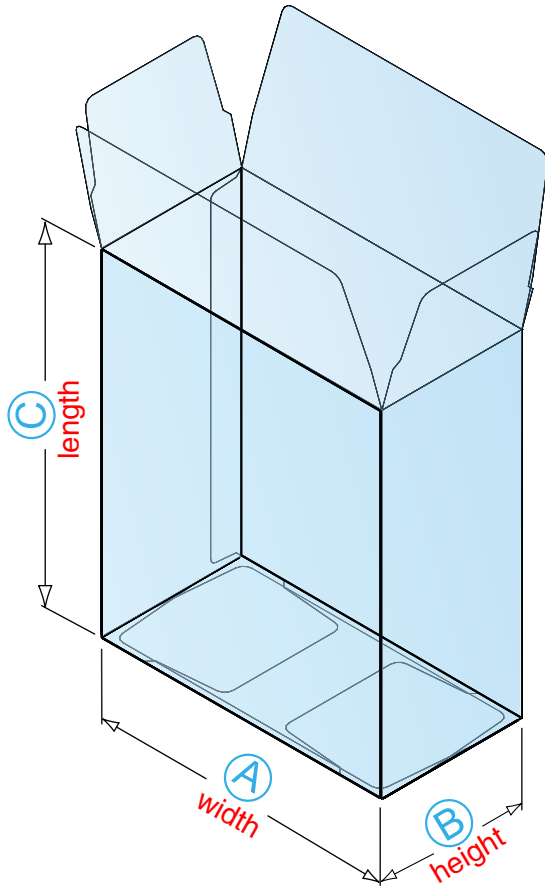


123-Bottom cartons are designed for efficient hand set-up and loading. Although not as efficient as Auto-Bottom cartons, this carton style is also used when faster set-up is desired but production volume or the package's contents are not suitable for automatic packaging equipment.

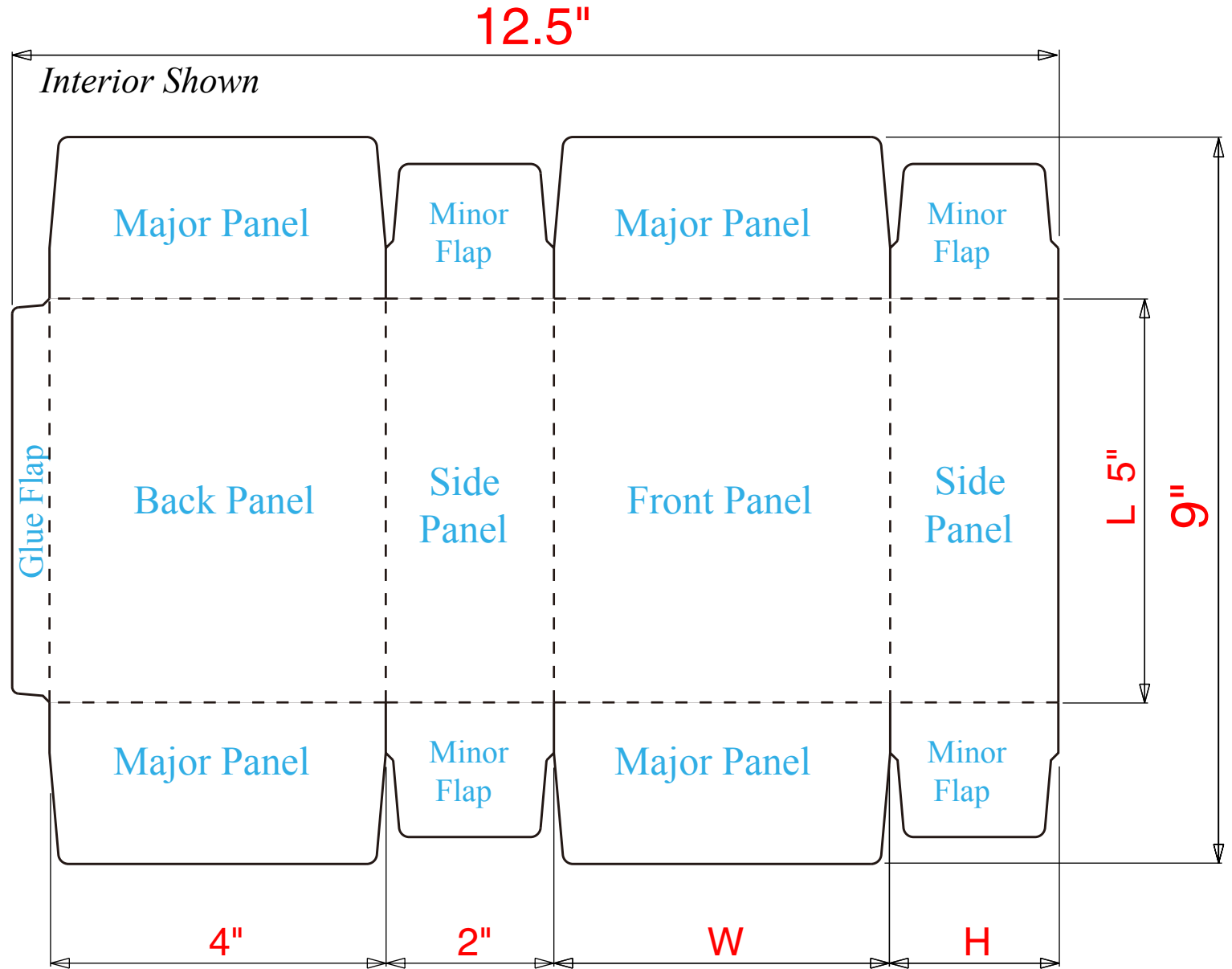


Seal End

Inside Dimensions
4" X 2" X 5"

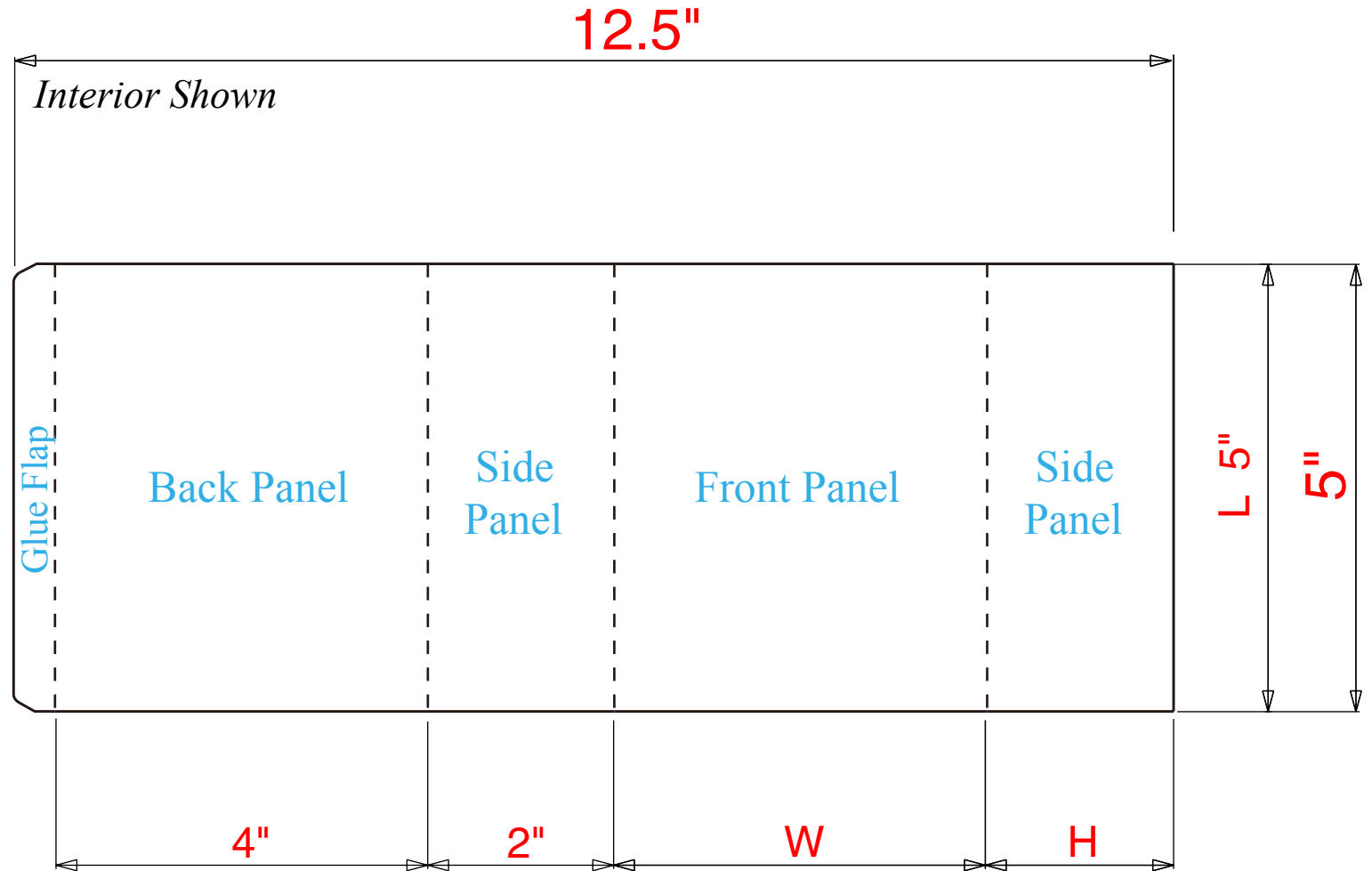
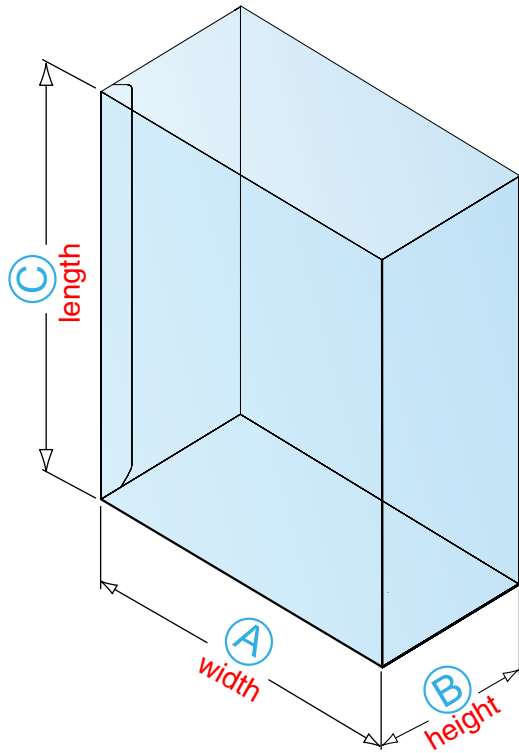


The Seal End carton is typically erected, filled and sealed on automated packaging equipment. Since the top and bottoms are glued closed, it offers tamper evidence as compared to tuck style cartons.



Sleeve

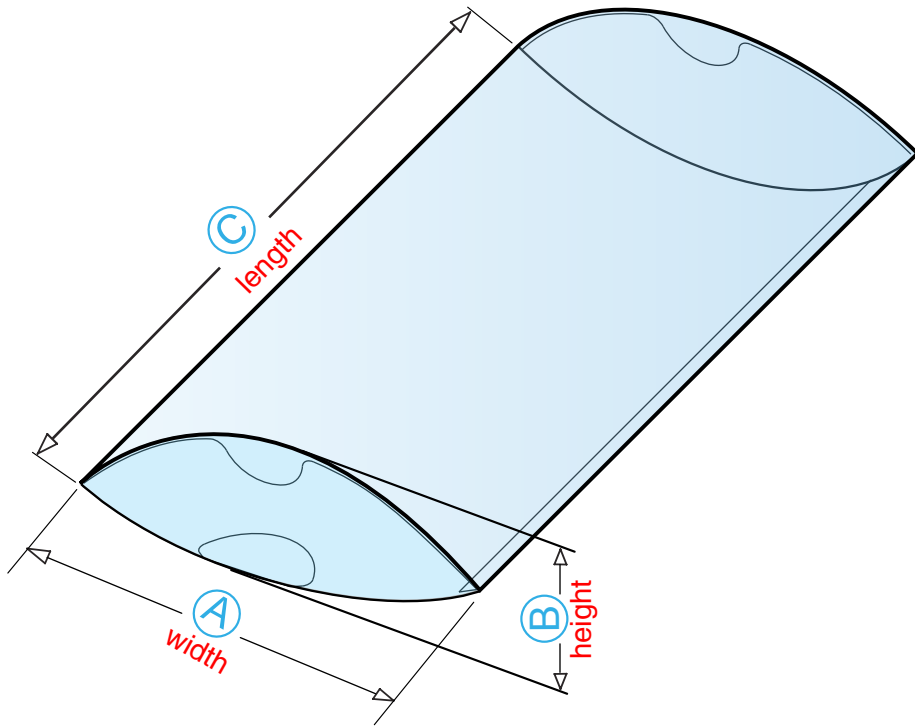
Inside Dimensions
4" X 2" X 5"



A Sleeve is used in combination with another packaging component. It's frequently used as a slip-on cover for a paperboard carton or tray, or an open set box structure. Sleeves can also be used in combination with injection molded or vacuum-formed plastic end caps or inserts.

Pillow Pack

Inside Dimensions
4" X 1" X 5"



Pillow Packs are a cost-effective style of packaging, typically used for products of shallow depth or for bulk packs of small items. A wide variety of features can be included to provide added utility, i.e.: thumb locks, standing bottoms, or hang tabs.

